

Presence detector - Professional Line

# IR Quattro MICRO

COM1 - white

EAN 4007841 053789

Article number 053789



infrared sensor  
360°



max. 4 x 4 m  
presence

1000 W

1000 W max.  
(LED-ready)



IP65



2 - 1000 lux



5 sec - 60 min

5 years

manufacturer's  
warranty  
[steinel-professional.de/garantie](http://steinel-professional.de/garantie)



CE



VDE

## Function description

Small sensor. Great performance. The IR Quattro MICRO meets the wish of many architects and planners for a sensor that's as inconspicuous as possible. It impresses with its compact size after installation, low overall height and a micro precision lens (15 x 15 mm). At the same time, the small 360° infrared presence puts on a great performance, covering 36 m<sup>2</sup>. IP65 certification also makes it suitable for rooms exposed to moisture.

# IR Quattro MICRO

COM1 - white

EAN 4007841 053789

Article number 053789



## Technical specifications

Type	Presence detector
Dimensions (Ø x H)	43 x 75 mm
Mains power supply	220 – 240 V / 50 – 60 Hz
Power consumption	0,5 W
Sensor Technology	passive infrared
Application, place	Indoors
Installation site	ceiling
Installation	In-ceiling installation
Mounting height	2,00 – 5,00 m
Reach, radial	4 x 4 m (16 m <sup>2</sup> )
Reach, tangential	6 x 6 m (36 m <sup>2</sup> )
Reach, presence	4 x 4 m (16 m <sup>2</sup> )
Detection angle	360 °
Angle of aperture	90 °
Switching zones	168 switching zones
Optimum mounting height	2,8 m
Mechanical scalability	No
Sneak-by guard	Yes
Capability of masking out individual segments	No
Electronic scalability	No
Twilight setting TEACH	Yes
Twilight setting	2 – 1000 lx
Time setting	5 s – 60 Min.
Output	1000 W
Switching output 1, resistive	1000 W
Switching output 1, number of LEDs / fluorescent lamps	8 pcs.

Switching output 1, floating	No
Fluorescent lamps, electronic ballast	500 W
Fluorescent lamps, uncorrected	400 VA
Fluorescent lamps, series-corrected	400 VA
Fluorescent lamps, parallel-corrected	400 VA
Switching output 1, low-voltage halogen lamps	1000 VA
LED lamps	100 W
LED lamps > 2 W	300 W
LED lamps > 8 W	600 W
Capacitive load in µF	176 µF
Constant-lighting control	No
Basic light level function	No
Functions	Normal / test mode, Semi-/fully automatic, Manual ON / ON-OFF
Settings via	Remote control, Smart Remote
With remote control	No
Interconnection	Yes
Type of interconnection	Master/master, Master/slave
IP-rating	IP65
Material	Plastic
Ambient temperature	-25 – 55 °C
Application, room	one-person office, hotel room, care room, function room / ancillary room, WC / washroom, Indoors
Colour	white
Colour, RAL	9003
Manufacturer's Warranty	5 years
Version	COM1 - white
PU1, EAN	4007841053789

## Accessories

EAN 4007841 009151	Remote control Smart Remote
EAN 4007841 592806	User remote control RC5
EAN 4007841 559410	Service remote control RC8

Presence detector - Professional Line

# IR Quattro MICRO

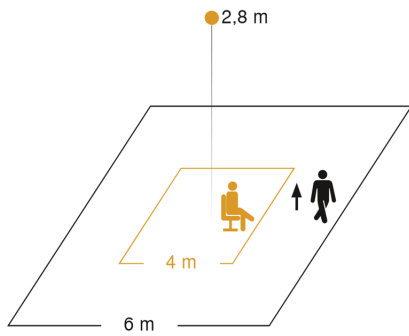
COM1 - white

EAN 4007841 053789

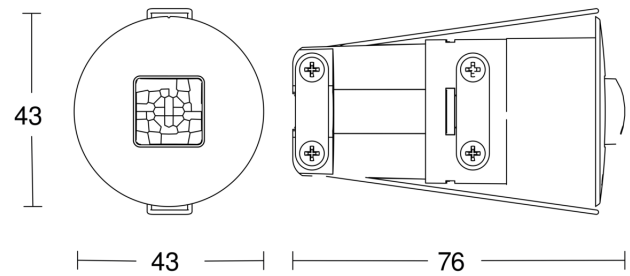
Article number 053789



## Detection Zone



## Dimension Drawing

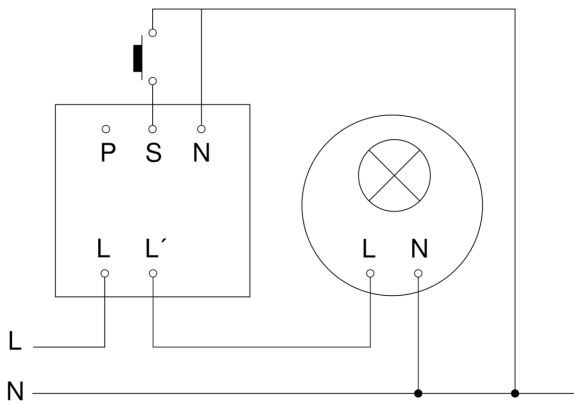


Mögliche Montagehöhe: 2,00 m – 5,00 m

Orange: Präsenz

Schwarz: tangential

## Master circuit diagram



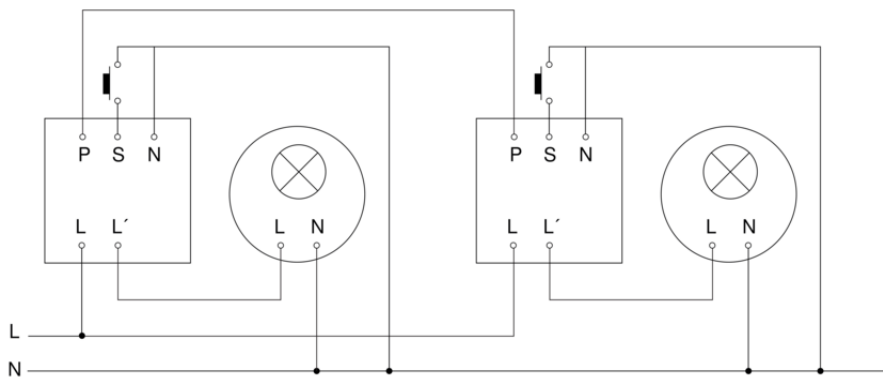
# IR Quattro MICRO

COM1 - white

EAN 4007841 053789

Article number 053789

## Master/master interconnection circuit diagram



## Master/slave interconnection circuit diagram

